

MULTI-TITE PIPE GASKETS

Your Soil Pipe Connection for a stronger seal

For Underground or Above Ground installations

Multi-Tite Gaskets

Service Weight (SV) Cast Iron
Soil Pipe Gaskets/Seals

PART #	SIZE	CASE QTY
DS-2 MTG	2"	48/cs
DS-3MTG	3"	24/cs
DS-4MTG	4"	24/cs
DS-5MTG	5"	15/cs
DS-6MTG	6"	15/cs
DS-8MTG	8"	10/cs
DS-10MTG	10"	10/cs
DS-12MTG	12"	10/cs
DS-15MTG	15"	1/cs

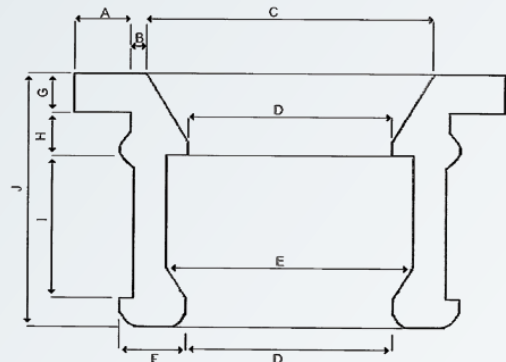



Multiple rings / ribs on outside for easy installation.



Features:

- Designed to connect SV Pipe (Hub) x SV Pipe (Spigot)
- Prevents horizontal pipe movement. 5" and larger should be braced accordingly
- Made from Flexible Neoprene Rubber
- Multiple rings
- Ribs on outside for easy installation and sealing
- Meets ASTM C-564 & C425
- Made in USA



- Flexible molded neoprene rubber
- For the sealing of sewer joints such as hubs, bells, spigots and socket
- Fits inside XHCI Hub Cast Iron Pipe x XHCI or SCH40 PVC pipe
- ASTM C564 
- Made in the USA

Extra-Heavy Service Weight

XH Soil Pipe Gaskets

DS PART #	SIZE	A	B	C	D	E	F	G	H	I	J
DS22UX-205DT	2"	.50	.095	2.87	2.24	2.50	.50	.3125	.3125	1.156	1.938
DS33UX-305DT	3"	.55	.11	3.99	3.37	3.72	.50	.3125	.3125	1.25	2.063
DS44UX-405DT	4"	.55	.113	4.99	4.34	4.69	.50	.3125	.3125	1.375	2.188
DS55UX-505DT	5"	.55	.11	5.99	5.34	5.69	.50	.3125	.3125	1.375	2.188
DS66UX-605DT	6"	.55	.11	5.99	6.34	6.69	.50	.3125	.3125	1.375	2.188
DS88UX-805DT	8"	.69	.112	9.115	8.45	8.815	.625	.50	.4375	1.625	2.75
DS10UX-105DT	10"	.75	.17	11.125	10.57	10.94	.625	.50	.4375	1.625	2.75
DS12UX-125DT	12"	.75	.17	13.25	12.56	13.065	.67	.50	.4375	1.625	2.75



DALLAS SPECIALTY & MFG. CO.

1161 RUGGLES ST GRAND PRAIRIE, TX 75050

972-641-8444 * 1-800-222-5644 * fax 972-641-8488

www.dallasspecialty.com