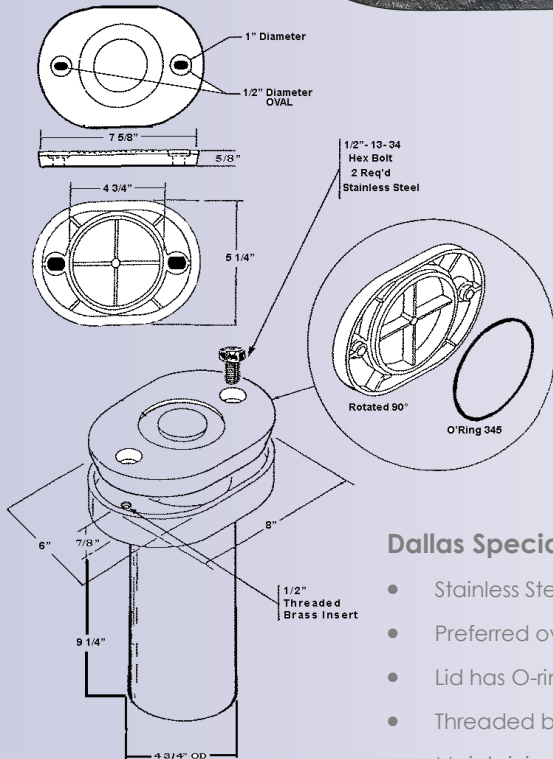


CAST IRON SEWER LATERAL CLEANOUT



#DS4SLCI Plain End 4" D.I. Size

#DS4SLCOWDI Plastic body with a Cast Iron Lid



Dallas Specialty Cast Iron Cleanout

- Stainless Steel Bolts for lockdown
- Preferred over conventional caps or plugs
- Lid has O-ring seal for protection from sewer gas escaping
- Threaded bolt holes allow the lid to be removed and replaced
- Maintaining a tight seal every time
- Allows for easy cleanout with tamperproof lid
- Traffic Rated for driveways, Sidewalks & Roadways where concrete is poured around cleanout

Installation Instructions

Cleanout gives tamper proof access to the sewer lateral line. Made of Solid Cast Iron. Use a DS Flexible Pipe Coupling with SS band to connect cleanout to pipe.

Part#	Size	Description	
DS4SLCI	4"	Cast Iron Sewer Lateral Cleanout	1 each
DS4SLCOA	4"	Cast Iron Sewer Lateral Cleanout lid only	18
DS-SLCBOLT	1/2" x 3/4"	Stainless Steel Bolts	2
DS-SLCIORING	4" ID	N-70 O-rings for Sewer Lateral Cleanout Lid	1
DS4SLCOWDI	4"	Plastic Sewer Lateral cleanout body with Solid CI Lid	12/cs



DALLAS SPECIALTY & MFG. CO.

1161 RUGGLES ST GRAND PRAIRIE, TX 75050

972-641-8444 * 1-800-222-5644 * fax 972-641-8488

www.dallasspecialty.com