

# PLASTIC SEWER LATERAL CLEANOUT

A DALLAS SPECIALTY BRAND

## #DS4SLCOWDI

Plastic Clean Out with Cast Iron Lid

## #DS4SLCOA

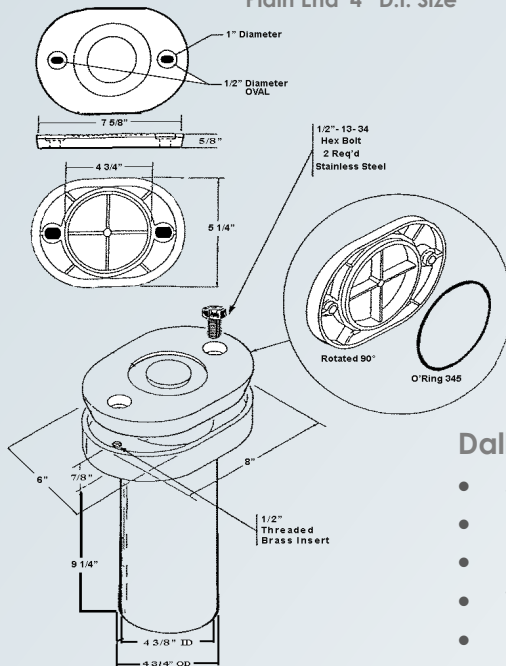
Plastic Clean Out assembled with Flex Coupling



Plain End 4" D.I. Size

Preferred yard / Planter Installation

DS51-44 Flex Cplg 4" connects to PVC, C.I., SDR-35



Test Results: 4/18/2002 By Universal Laboratory Inc.	
Load Test per ASTM D2412	complies
Impact Test per ASTM D2444	complies
Markings	complies
Materials: P.P./S.S./Brass	complies
Dimensions	complies

### Dallas Specialty Plastic Cleanout

- SS Bolts for lockdown
- Preferred over conventional caps or plugs
- O-ring seal for protection from sewer gas escaping
- Threaded inserts allows lid to be removed and replaced easily
- O-ring maintains a tight seal against sewer gases
- Made in USA

### Installation

The cleanout is made of polypropylene and can not be solvent welded. Use a flexible coupling with stainless steel band at 60 in pound torque. The inside of cleanout will slip over SDR-35 pipe.

Part#	Size	Description	Qty
DS4SLCO	4"	Plastic Sewer Lateral Cleanout with lid	24/cs
DS4SLCOA	4"	Plastic Sewer Lateral Cleanout with Flex Cplg	18/cs
DS-SLCBLT	1/2" x 3/4"	Stainless Steel Bolts	2/bg
DS-SLCORING	4 3/8" X 4"ID	O-rings for Plastic Sewer Lateral Cleanout Lid	1/bg
DS4SLCOT	4"	Plastic Sewer Lateral Cleanout Lid Only with bolts	12/cs
DS4SLCOL	4"	Plastic Sewer Lateral Cleanout Lid Only (No Bolts)	12/cs
DS4SLCOWDI	4"	Plastic Sewer Lateral Cleanout with Solid C.I. Lid	6/cs

NOTE: 4" Plastic Sewer Lateral Cleanout fits over SDR-35 Pipe for adjustment.



**DALLAS SPECIALTY & MFG. CO.**

1161 RUGGLES ST GRAND PRAIRIE, TX 75050

972-641-8444 \* 1-800-222-5644 \* fax 972-641-8488

[www.dallasspecialty.com](http://www.dallasspecialty.com)

