



THE **GREEN DRAIN™** A **DAL-SEAL™** PRODUCT / TRAP SEALS & **MORE**



PROVIDING **MORE** TO THE PLUMBING INDUSTRY

1161 RUGGLES ST. GRAND PRAIRIE, TX 75050
800-222-5644 • 972-641-8444 • Fax 972-641-8488
www.dallasspecialty.com



The **DAL-SEAL™** product line now includes the **GREEN DRAIN™** Drain Trap Seal an economical Trap Seal device. Allowing water to flow down the drain while preventing pests, odors & harmful gases from entering through unprotected drains or up through the floor drain grate.

Prevents odors, sewer gas, radon gases, insects and harmful pathogen spread.

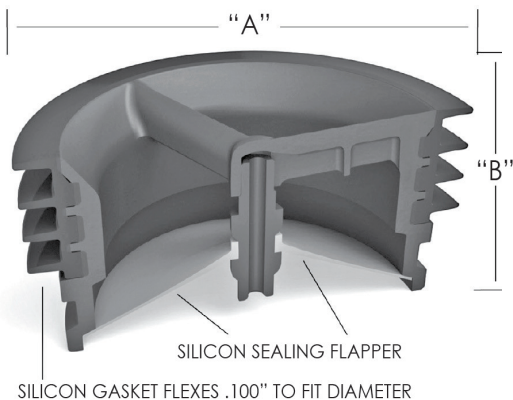


Used in Outlet Connections of Floor Drain Bodies and under Floor Drain Strainers to seal opening.



The **GREEN DRAIN™** Drain Trap Seal, plumbers choice for sewer gas odors, guaranteed to be a favorite.

Prevents harmful Radon Gases from infiltrating through unprotected drains. Radon Gases that are odorless, invisible & tasteless, preventing them from entering the living or work space.



DAL-SEAL™ Series / Drain Trap Seal

PART #	"A" DIMENSION	"B" DIMENSION	GPM FLOW RATE
DS-2DTS	2" (51mm)	2" (51mm)	12.0
DS-3DTS	3" (76mm)	2" (51mm)	34.0
DS-35DTS	3-1/2" (89mm)	2" (51mm)	51.0
DS-4DTS	4" (102mm)	2" (51mm)	73.0



"Serving the Plumbing Industry"

THE GREEN DRAIN™ NOW INCLUDED IN DALLAS SPECIALTIES DAL-SEAL™ PRODUCT LINE



Offering Drain Trap Seals for Sinks, Showers & Floor Drains

Dallas Specialty's GREEN DRAIN™ Drain Trap Seal Features:

- Used to prevent sewer gases, odors & insects from entering up through the floor drain grate or shower drain.
- Flexible gasket has sealing ribs for easy installation into a variety of drain openings
- Drain opens to allow drainage & closes when there is no flow of water
- Drain can be used in either new construction or repair applications where there is no trap primer.

Dallas Specialty's GREEN DRAIN™ Drain Trap Seal Specifications:

- GREEN DRAIN™ DAL-SEALS come in a variety of sizes: 2", 3", 3-1/2" & 4"
- Flexible rubber gasket has sealing ribs for secure installation
- Complies with ASSE 1072
- UV Resistant ABS Plastic Casing
- UPC / IRC listed
- Water pressure tested to 4lbs
- Limited Warranty



DALLAS SPECIALTY & MFG CO.
1161 RUGGLES ST. GRAND PRAIRIE, TX 75050
800-222-5644 · 972-641-8444 · Fax 972-641-8488
www.dallasspecialty.com

Dallas Specialty distributes the **GREEN DRAIN™**
Trap Seals under our **DAL-SEAL™** Product
line to the Plumbing Industry.

 **DALLAS
SPECIALTY** 1161 RUGGLE ST. GRAND PRAIRIE, TX 75050
& MFG CO. P: 800-222-5644 F: 972-641-8488 www.dallasspecialty.com