



LINEAR CHANNEL FLOOR DRAINS & **MORE**



A DAL-DRAIN™ Product

1161 RUGGLES ST. GRAND PRAIRIE, TX 75050

800-222-5644 • 972-641-8444 • Fax 972-641-8488

www.dallasspecialty.com



The **DAL-DRAIN™** line has expanded.
Includes Adjustable Linear Channel Drains

Allowing water to drain easily into sleek linear
channels in the shower floor

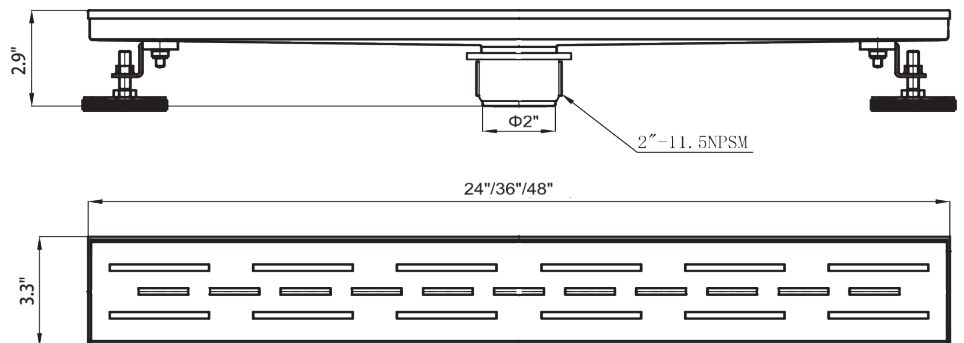
Linear Grates 304SS finish
24", 36" & 48" lengths



Basket Strainer, 2" ABS adapter & Metal Hook

Features:

- Fits Existing drain pipe size 2", 3" or 4" IPS
- All Stainless Steel Grate: .047 Thickness
- Strainer Basket & Hook: 304SS
- 2" ABS Adapter Included



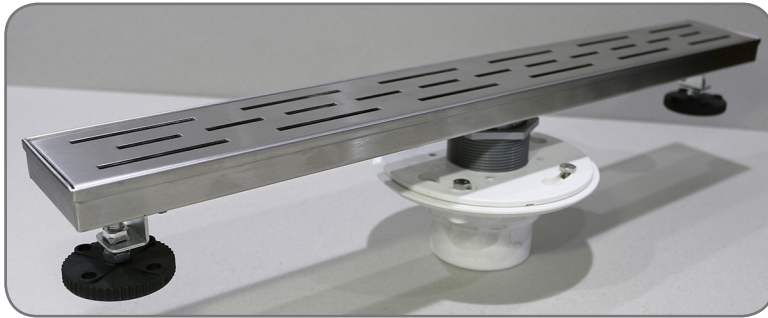
1161 RUGGLES ST
GRAND PRAIRIE, TX 75050

P: 972-641-8444 / P: 800-222-5644
www.dallasspecialty.com

Fax: 972-641-8488
Email: ds@dalspc.com

Adjustable Linear Channel Drains

A DAL-DRAIN™ Product



DSTD-24-SW23D



Available with or without complete drain assembly.



DSTD-24-G24D

Conforms to: ASTM A-240



DAL-DRAIN™ Series Adjustable Linear Channel Drains

PART #	SIZE	Description
DSTD-24SS	24"	Linear Channel Drain with out drain assembly
DSTD-36SS	36"	Linear Channel Drain with out drain assembly
DSTD48SS	48"	Linear Channel Drain with out drain assembly
DSTD-24-G24D	24"	Linear Channel Drain with Gasketed Drain Assembly
DSTD-36-G24D	36"	Linear Channel Drain with Gasketed Drain Assembly
DSTD-48-G24D	48"	Linear Channel Drain with Gasketed Drain Assembly
DSTD-24-SW23D	24"	Linear Channel Drain with Solvent-Weld Drain Assembly
DSTD-36-SW23D	36"	Linear Channel Drain with Solvent-Weld Drain Assembly
DSTD-48-SW23D	48"	Linear Channel Drain with Solvent-Weld Drain Assembly



DALLAS SPECIALTY & MFG. CO.

1161 RUGGLES ST GRAND PRAIRIE, TX 75050

972-641-8444 * 1-800-222-5644 * fax 972-641-8488

www.dallasspecialty.com



1161 RUGGLES ST
GRAND PRAIRIE, TX 75050

P: 972-641-8444 / P: 800-222-5644
www.dallaspecialty.com

Fax: 972-641-8488
Email: ds@dalspc.com